



FLANGE TOOL INNOVATION

PRODUCT DATA SHEET

NS50TE

EXTERNAL HYDRAULIC NUT SPLITTER

RANGE OF APPLICATION FOR FLANGE NUTS:

HEX NUT A/F: 65.0 mm - 75.0 mm (2.56" - 2.95")
H: Max 48.0 mm (1.89")

TOOL WEIGHT:

24.5 kg (54.0 lb)

KIT CONTENTS

- 1 x NS50TE Nut Splitter
- 1 x Spare Cutting Tip
- 1 x Spare Tip Retention Screw
- 1 x Spare Alignment Screw
- 1 x Set of Hex Keys
- 1 x Safety Lanyard
- 1 x Instruction Manual
- 1 x Carry Case

Product Code: NS50TEMIN



WEIGHTS AND DIMENSIONS



Tool Weight: 24.5 kg (54.0 lb)
Gross Weight: 31.0 kg (68.4 lb)

Carry Case Dimensions:
460 mm x 270 mm x 285 mm
(18.1" x 10.6" x 11.2")

Minimum Pump Oil Capacity:
328 cc (20 in³)

info@equalizerinternational.com
www.equalizerinternational.com

NS50TE

EXTERNAL HYDRAULIC NUT SPLITTER



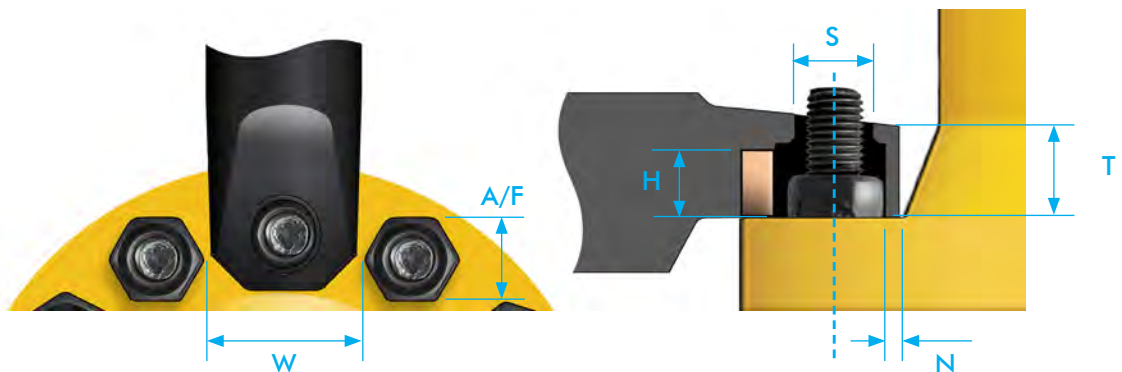
FLANGE TOOL INNOVATION

RANGE OF APPLICATION FOR FLANGE NUTS

NS TOOL	UNC HEAVY HEX STUD SIZE	UNC HEAVY NUT A/F SIZE	METRIC STUD SIZE	METRIC NUT A/F SIZE
NS50	1-5/8", 1-3/4", 1-7/8"	2.56" to 2.94"	M42, M45, M48	65 mm to 75 mm

PLEASE REFER TO OUR WEBSITE www.equalizerinternational.com FOR INFORMATION ON THE COMPLETE EQUALIZER NUT SPLITTER RANGE

SPATIAL ENVELOPE



	DIMENSION	MEASURED FROM	MEASURED TO	MINIMUM	MAXIMUM
A/F	Across Flats	Nut Hex Flat	Nut Hex Flat	-	80 mm (3.15")
W	Clear Width	Side Obstruction	Side Obstruction	135 mm (5.31")	-
S	Protruding Stud Diameter	Stud OD	Stud OD	-	61 mm (2.40")
H	Cutting Height	Flange Face	Top of Nut	-	54.5 mm (2.15")
N	Nose Clearance	Nut Flat	Frontal Obstruction	27 mm (1.06")	-
T	Nose Height	Flange Face	Top of Nose	65 mm (2.56")	