

## HSWC - SELF-CONTAINED HYDRAULIC WIRE ROPE CUTTERS



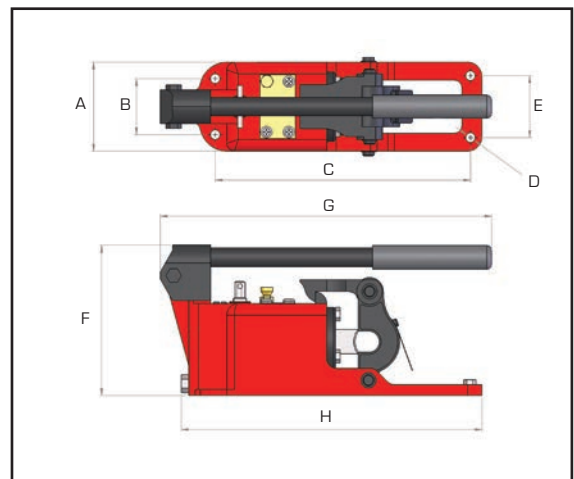
Cutting capacities up to 44mm diameter

Strong rigid steel construction

Easy to use with minimum operator effort

The Hi-Force range of self-contained portable hydraulic wire rope and cable cutters comprises of 3 models with cutting capacities up to 44mm diameter. Approved and specified by many major industries throughout the world, these high quality cutters are precision engineered to give a good, clean cut with minimum effort, time after time. The self-contained design of the cutter enables easy transportation to the job site with minimum of fuss.

The shear blades are manufactured using high quality tool steel, which is heat treated and ground to very tight tolerances, ensuring superior performance and long-life. Users include wire rope manufacturers, earthmoving and construction contractors, rigging shops, elevator manufacturers and repairers and many others.



Model number	Cutting capacity wire rope mm Ø	Weight kg
<b>HSWC19</b>	19	9.5
<b>HSWC28</b>	28	15.5
<b>HSWC44</b>	44	30.0

Dimensions in mm							
A	B	C	D	E	F	G	H
93	58	265	10.2	64	154	345	315
105	64	294	10.2	67	174	374	357
125	70	393	10.2	84	203	490	460

Replacement blades for HSWC self-contained wire rope cutters :

Blade Part number	For Cutter
<b>HSWC19-4</b>	HSWC19
<b>HSWC28-4</b>	HSWC28
<b>HSWC44-4</b>	HSWC44

