

HGG - SINGLE ACTING LOAD RETURN INDUSTRIAL CYLINDERS

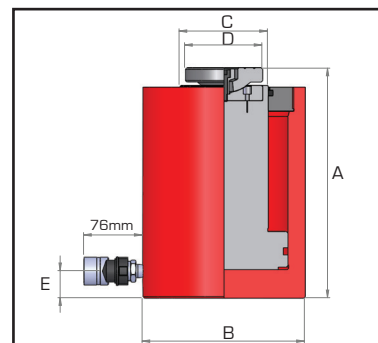


Capacities from 152 to 326 tonnes

Stroke length 155mm

Working pressure 700 Bar

The HGG range of load return industrial cylinders is specifically designed for lifting and maintenance applications. All models are supplied with a tilting saddle to reduce the risk of damage caused by side loading and an integral stop ring for stroke limitation is fitted as standard. Standard range models are featured in this catalogue, however additional capacities and stroke options are available on request.



Model number	Capacity tonnes	Stroke mm	Oil cap. litres	Cyl. eff. area cm ²	Weight kg
HGG1506	152	155	3.32	214.3	58.3
HGG2006	203	155	4.63	285.1	95.3
HGG3006	326	155	7.10	457.7	153.5

Dimensions in mm				
A	B	C	D	E
297	210	114	100	37
310	254	140	135	50
343	312	165	150	50

B

HSG - SINGLE ACTING LOAD RETURN CONSTRUCTION CYLINDERS

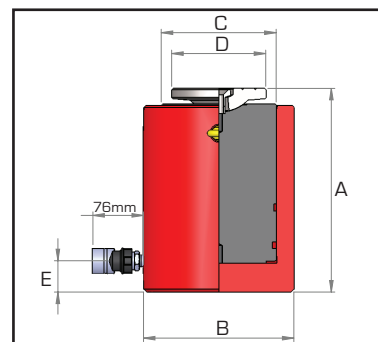


Capacities from 152 to 326 tonnes

Stroke length 152mm

Working pressure 700 Bar

The HSG range of single acting load return construction cylinders is ideally suited for construction, civil engineering, heavy fabrication and maintenance applications. All models are supplied with a tilting saddle fitted as standard and have an overstroke restrictor port to prevent over extension of the piston. Standard range models are featured in this catalogue, however additional capacities and stroke options are available on request.



Model number	Capacity tonnes	Stroke mm	Oil cap. litres	Cyl. eff. area cm ²	Weight kg
HSG1506	152	152	3.21	214.3	77.5
HSG2006	203	152	4.34	285.1	107.7
HSG3006	326	152	6.99	457.7	175.2

Dimensions in mm				
A	B	C	D	E
293	216	165.1	135	45
296	254	190.5	135	45
326	312	241.3	150	50