

HFS & HFS-TK - HYDRAULIC FLANGE SPREADER KITS



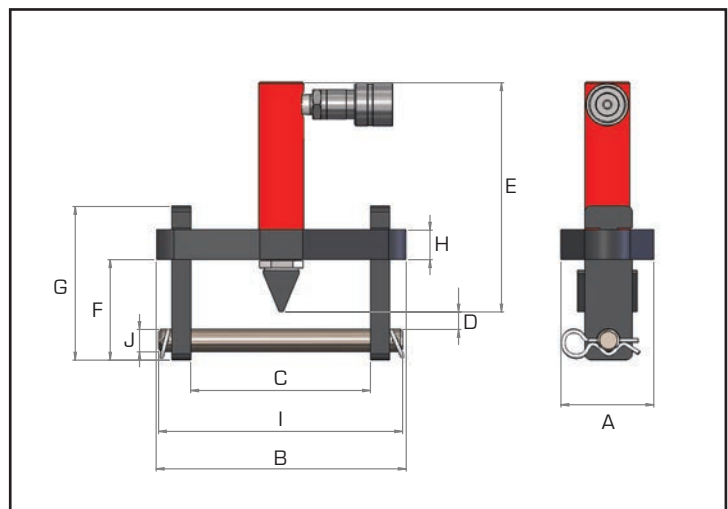
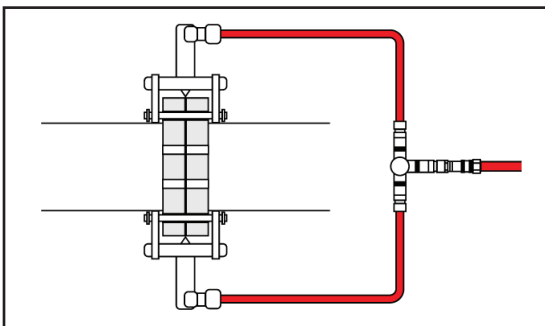
Capacities from 4.5 to 10 tonnes per spreader

Working pressure 700 Bar

Complete with manual pump

HFS and HFS-TK hydraulic flange spreader kits offer a choice of either single spreader complete with pump and accessories (HFS) or a twin spreader arrangement incorporating two flange spreaders operated from a single pump with a T-piece and twin hose connection (HFS-TK). For flange separation in applications where long lengths of heavy pipe work are involved, the HFS-TK twin spreader kit enables the operator to achieve parallel flange separation all around the joint. Hi-Force HP110 hand pump is supplied as standard to HFS & HFS-TK flange spreader kits and details can be found on page 31 of this catalogue.

- >> Supplied complete with manually operated pump and hose assembly
- >> Suitable for fitment onto flanges with a maximum stud bolt size of 1⁵/₈" [41 mm]



Specifications :

Model number	Capacity tonnes	Stroke mm	Oil capacity cm ³	Max. flange thickness mm	Stud size mm	Standard wedge mm	Weight kg
HFS50	4.5	75	48	2 x 57	19 - 29	3 - 29	22.5
HFS100	10	56	81	2 x 92	32 - 41	3 - 29	29.1
HFS50-TK	2 x 4.5	75	2 x 48	2 x 57	19 - 29	3 - 29	27.5
HFS100-TK	2 x 10	56	2 x 81	2 x 92	32 - 41	3 - 29	35.7

Dimensions in mm :

Model number	A	B	C min	C max	D	E	F	G	H	I	J
HFS-50	76	210	61	155	10	192	69	129	25	206	18
HFS-100	108	290	61	224	30	165	89	178	38	273	31
HFS50-TK	76	210	61	155	10	192	69	129	25	206	18
HFS100-TK	108	290	61	224	30	165	89	178	38	273	31