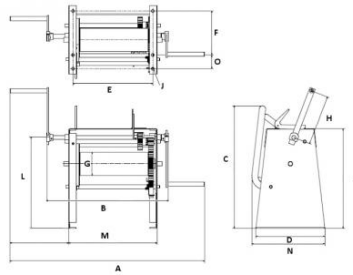


## 659 winch, capacity 3000 kg



Pulling crab winch, gear type 3000 kg.

Use:

- Pulling/Hauling operations only
- Anchorage of barges for river sailing
- Anchorage and movement of barges, boats...
- Doors manoeuvring
- Pulling work requiring long lengths of rope
- Pulling/hauling of vehicles, wagons, vessels...

### Technical properties

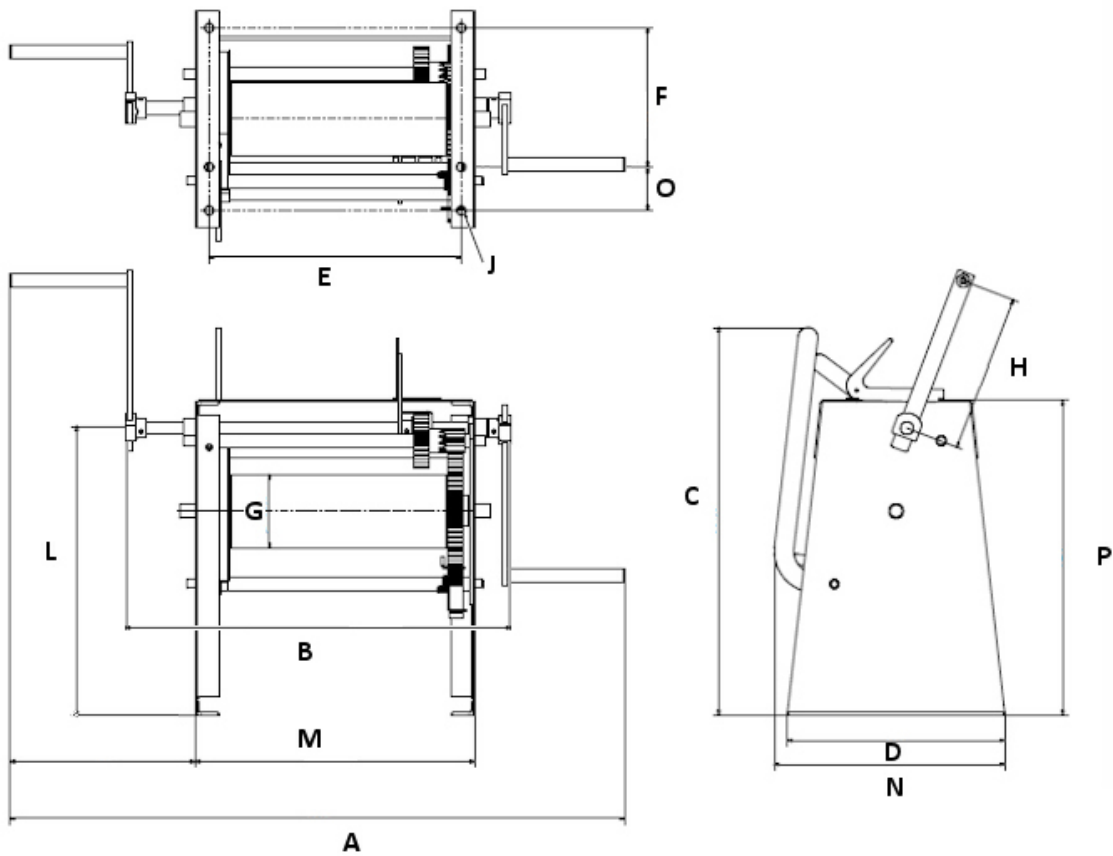
- Steel chassis and drum.
- Rugged and tested mechanical construction.
- Straight cut gearing, high tensile steel.
- Manual band brake (lever or wheel).
- Two speeds.
- Large rope capacities.
- Standard crank handle.
- Options: manoeuvring hand wheel and marine painting, consult us.

### Technical characteristics of 659 winch, capacity 3000 kg

| References                    | 6593000 |
|-------------------------------|---------|
| Capacity 1st layer kg         | 4100    |
| Capacity top layer kg         | 3000    |
| Nb of layers                  | 4       |
| Wire rope cap. 1st layer m    | 27      |
| Wire rope cap. top layer m    | 138     |
| Travel/crank revolution mm    | 88      |
| Wire rope Ø mm                | 11.5    |
| Weight (without wire rope) kg | 170     |

## Dimensions

| References | 6593000 |
|------------|---------|
| A mm       | 1800    |
| B mm       | 995     |
| E mm       | 677     |
| F mm       | 380     |
| G mm       | 168     |
| H mm       | 480     |
| J mm       | 22      |
| L mm       | 707     |
| M mm       | 745     |
| N mm       | 610     |
| O mm       | 100     |
| P mm       | 780     |



## Technical characteristics of the other models of the range

| References                    | 659600 | 6591500 | 6592000 | <b>6593000</b> | 6595000 |
|-------------------------------|--------|---------|---------|----------------|---------|
| Capacity 1st layer kg         | 900    | 2000    | 2900    | <b>4100</b>    | 7500    |
| Capacity top layer kg         | 600    | 1500    | 2000    | <b>3000</b>    | 5000    |
| Nb of layers                  | 8      | 4       | 5       | <b>4</b>       | 5       |
| Wire rope cap. 1st layer m    | 32     | 23      | 25      | <b>27</b>      | 33      |
| Wire rope cap. top layer m    | 346    | 112     | 169     | <b>138</b>     | 223     |
| Travel/crank revolution mm    | 88.5   | 90      | 78      | <b>88</b>      | 44      |
| Wire rope Ø mm                | 5      | 8       | 10      | <b>11.5</b>    | 16      |
| Weight (without wire rope) kg | 70     | 85      | 110     | <b>170</b>     | 360     |

| References                    | 6597500 | 65910000    |
|-------------------------------|---------|-------------|
| Capacity 1st layer kg         | 11000   | Consult us. |
| Capacity top layer kg         | 7500    | Consult us. |
| Nb of layers                  | 6       | Consult us. |
| Wire rope cap. 1st layer m    | 50      | Consult us. |
| Wire rope cap. top layer m    | 403     | Consult us. |
| Travel/crank revolution mm    | 40      | Consult us. |
| Wire rope Ø mm                | 18      | Consult us. |
| Weight (without wire rope) kg | 550     | Consult us. |



### HUCHEZ's advice

**Robust due to rugged and tested mechanical construction, large rope capacities.**



HUCHEZ  
 9, Grande Rue  
 60420 FERRIERES – France  
 ☎ +33 (0) 3 44 51 11 33  
 Site internet : [www.huchez.com](http://www.huchez.com)  
 E-mail : [contact@huchez.fr](mailto:contact@huchez.fr)



**SERVICE  
 CLIENTS**

Pour en savoir plus, n'hésitez pas à nous contacter !  
*To know more, please contact us!*