

MANIBOX VS 3000 kg - model with galvanized frame



Hand wormgear winch 3000 kg, model with galvanized frame.

Use:

- Lifting or pulling/hauling operation
- Wall-mounted or flat
- Industry
- Shows, sceneries
- Water treatment, water dams
- Sports rooms
- Hanging chandeliers...

Comply with Machines Directive 2006/42/EC. Developed and manufactured in accordance with standard NF E N 13157.

Technical properties

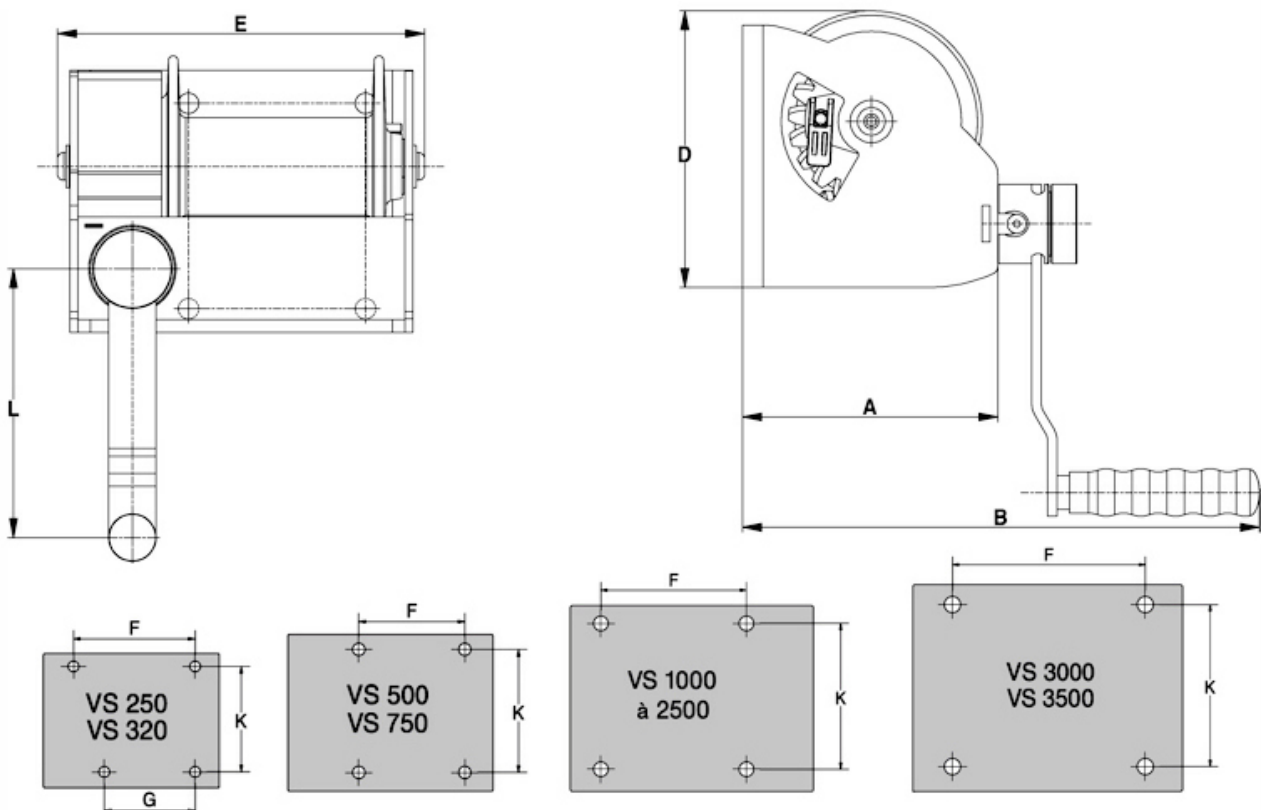
- Mechanical parts machined and protected by cataphoresis.
- Stainless steel ratchet spring.
- Absolute safety by worm screw and automatic brake.
- Reduction system fully protected by a metal or plastic cover providing maximum safety.
- Desengageable drum, no load only.
- Failsafe system in the rope wind direction (patented).
- Adjustable crank handle for fast winding or otherwise maximum capacity.
- Crank positioned on the left.
- Captive crank adjusting knob.
- Finition: painted frame.

Technical characteristics of MANIBOX VS 3000 kg - model with galvanized frame

| | |
|-------------------------------|------|
| Capacity 1st layer kg | 3500 |
| Capacity top layer kg | 3000 |
| Nb of layers | 2 |
| Wire rope cap. 1st layer m | 7.5 |
| Wire rope cap. top layer m | 18.5 |
| Wire rope Ø mm | 16 |
| Weight (without wire rope) kg | 140 |
| Lift per crank revolution mm | 3 |
| Max. hand force on crank kg | 15 |

Dimensions

| | |
|------|-----|
| A mm | 480 |
| B mm | 640 |
| D mm | 450 |
| E mm | 530 |
| F mm | 390 |
| G mm | - |
| K mm | 380 |
| L mm | 340 |



Technical characteristics of the other models of the range

| References | VS500GALVA | VS250MANIBOX | VS320PREM | VS500MANIBOX | VS750PREM |
|-------------------------------|------------|--------------|-----------|--------------|-----------|
| Capacity 1st layer kg | 750 | 380 | 380 | 750 | 750 |
| Capacity top layer kg | 500 | 250 | 320 | 500 | 750 |
| Nb of layers | 4 | 4 | 2 | 4 | 1 |
| Wire rope cap. 1st layer m | 3 | 2.5 | 2.5 | 3 | 3 |
| Wire rope cap. top layer m | 18 | 15 | 6 | 18 | 3 |
| Wire rope Ø mm | 7 | 5 | 6 | 7 | 7 |
| Weight (without wire rope) kg | 12 | 7.5 | 7.5 | 12 | 12 |
| Lift per crank revolution mm | 11 | 17 | 17 | 11 | 11 |
| Max. hand force on crank kg | 14 | 11 | 11 | 15 | 14 |

| References | VS750MANIBOX | VS1450PREM | VS1500MANIBOX | VS2000PREM | VS2000MANIBOX |
|-------------------------------|--------------|------------|---------------|------------|---------------|
| Capacity 1st layer kg | 1450 | 1450 | 2000 | 2000 | 2500 |
| Capacity top layer kg | 1000 | 1450 | 1500 | 2000 | 2000 |
| Nb of layers | 4 | 1 | 3 | 1 | 2 |
| Wire rope cap. 1st layer m | 5.5 | 5 | 5.5 | 5.5 | 7 |
| Wire rope cap. top layer m | 30 | 5 | 23 | 6 | 17 |
| Wire rope Ø mm | 9 | 10 | 11.5 | 12 | 13 |
| Weight (without wire rope) kg | 37.5 | 37.5 | 52 | 52 | 80 |
| Lift per crank revolution mm | 8 | 8 | 6 | 6 | 5 |
| Max. hand force on crank kg | 14 | 14 | 14 | 14 | 14.5 |

| References | VS2500PREM | VS3000MANIBOX | VS3500PREM | VS250GALVA | VS320PREMGALVA |
|-------------------------------|------------|---------------|------------|------------|----------------|
| Capacity 1st layer kg | 2500 | 3500 | 3500 | 380 | 380 |
| Capacity top layer kg | 2500 | 3000 | 3500 | 250 | 320 |
| Nb of layers | 1 | 2 | 1 | 4 | 2 |
| Wire rope cap. 1st layer m | 7 | 7.5 | 7.5 | 2.5 | 2.5 |
| Wire rope cap. top layer m | 6 | 18.5 | 7.5 | 15 | 6 |
| Wire rope Ø mm | 13 | 16 | 16 | 5 | 6 |
| Weight (without wire rope) kg | 80 | 140 | 140 | 7.5 | 7.5 |
| Lift per crank revolution mm | 5 | 3 | 3 | 17 | 17 |
| Max. hand force on crank kg | 14.5 | 5 | 15 | 11 | 11 |

| References | VS750PREMGALVA | VS1000GALVA | VS1450PREMGALVA | VS1500INOX | VS1500GALVA |
|-------------------------------|----------------|-------------|-----------------|------------|-------------|
| Capacity 1st layer kg | 750 | 1450 | 1450 | | 2000 |
| Capacity top layer kg | 750 | 1000 | 1450 | | 1500 |
| Nb of layers | 1 | 4 | 1 | | 3 |
| Wire rope cap. 1st layer m | 3 | 5.5 | 5 | | 5.5 |
| Wire rope cap. top layer m | 3 | 30 | 5 | | 23 |
| Wire rope Ø mm | 7 | 9 | 10 | | 11.5 |
| Weight (without wire rope) kg | 12 | 37.5 | 52 | | 52 |
| Lift per crank revolution mm | 11 | 8 | 8 | | 6 |
| Max. hand force on crank kg | 14 | 14 | 14 | | 14 |

| References | VS2000PREMGALVA | VS2000INOX | VS2000GALVA | VS2500PREMGALVA | VS3000GALVA |
|-------------------------------|-----------------|------------|-------------|-----------------|-------------|
| Capacity 1st layer kg | 2000 | | 2500 | 2500 | 3500 |
| Capacity top layer kg | 2000 | | 2000 | 2500 | 3000 |
| Nb of layers | 1 | | 2 | 1 | 2 |
| Wire rope cap. 1st layer m | 5.5 | | 7 | 7 | 7.5 |
| Wire rope cap. top layer m | 6 | | 17 | 6 | 18.5 |
| Wire rope Ø mm | 12 | | 13 | 13 | 16 |
| Weight (without wire rope) kg | 52 | | 80 | 80 | 140 |
| Lift per crank revolution mm | 6 | | 5 | 5 | 3 |
| Max. hand force on crank kg | 14 | | 14.5 | 14.5 | 15 |

| References | VS3500PREMGALVA | VS250INOX | VS320PREMINOX | VS500INOX | VS750PREMINOX |
|-------------------------------|-----------------|-----------|---------------|-----------|---------------|
| Capacity 1st layer kg | 3500 | 380 | 380 | 750 | 750 |
| Capacity top layer kg | 3500 | 250 | 320 | 500 | 750 |
| Nb of layers | 1 | 4 | 2 | 4 | 1 |
| Wire rope cap. 1st layer m | 7.5 | 2.5 | 2.5 | 3 | 3 |
| Wire rope cap. top layer m | 7.5 | 15 | 6 | 18 | 3 |
| Wire rope Ø mm | 16 | 5 | 6 | 7 | 7 |
| Weight (without wire rope) kg | 140 | 7.5 | 7.5 | 12 | 12 |
| Lift per crank revolution mm | 3 | 17 | 17 | 11 | 11 |
| Max. hand force on crank kg | 15 | 11 | 11 | 14 | 14 |

| References | VS1000INOX | VS1450PREMINOX | VS2000PREMINOX | VS2500PREMINOX | VS3000INOX |
|-------------------------------|------------|----------------|----------------|----------------|------------|
| Capacity 1st layer kg | 1450 | 1450 | 2000 | 2500 | 3500 |
| Capacity top layer kg | 1000 | 1450 | 2000 | 2500 | 3000 |
| Nb of layers | 4 | 1 | 1 | 1 | 2 |
| Wire rope cap. 1st layer m | 5.5 | 5 | 5.5 | 7 | 7.5 |
| Wire rope cap. top layer m | 30 | 5 | 6 | 6 | 18.5 |
| Wire rope Ø mm | 9 | 10 | 12 | 13 | 16 |
| Weight (without wire rope) kg | 37.5 | 37.5 | 52 | 80 | 140 |
| Lift per crank revolution mm | 8 | 8 | 6 | 5 | 3 |
| Max. hand force on crank kg | 14 | 14 | 14 | 14.5 | 15 |

| References | VS3500PREMINOX |
|-------------------------------|----------------|
| Capacity 1st layer kg | 3500 |
| Capacity top layer kg | 3500 |
| Nb of layers | 1 |
| Wire rope cap. 1st layer m | 7.5 |
| Wire rope cap. top layer m | 7.5 |
| Wire rope Ø mm | 16 |
| Weight (without wire rope) kg | 140 |
| Lift per crank revolution mm | 3 |
| Max. hand force on crank kg | 15 |



HUCHEZ's advice

Captive crank adjusting knob, adjustable crank handle for fast winding or otherwise, maximum capacity, highly reliable rope fastener not requiring any special tools, fail safe system in the rope wind direction.



HUCHEZ
9, Grande Rue
60420 FERRIERES – France
☎ +33 (0) 3 44 51 11 33
Site internet : www.huchez.com
E-mail : contact@huchez.fr



**SERVICE
CLIENTS**



Pour en savoir plus, n'hésitez pas à nous contacter !
To know more, please contact us!