



FLANGE TOOL INNOVATION

# PRODUCT DATA SHEET



## TFA15TI INTEGRAL HYDRAULIC TOWER FLANGE ALIGNMENT TOOL

ALIGNING FORCE:  
15T (150kN)

TOOL WEIGHT:  
21.5kg (47.4lb)



### KIT COMPONENTS

- 1 x TFA15TI Tool
- 1 x Instruction Manual
- 1 x Hard Case

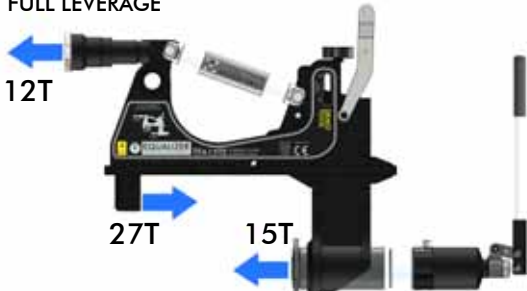
Product Code: TFA15TISTD

### REACTION FORCES

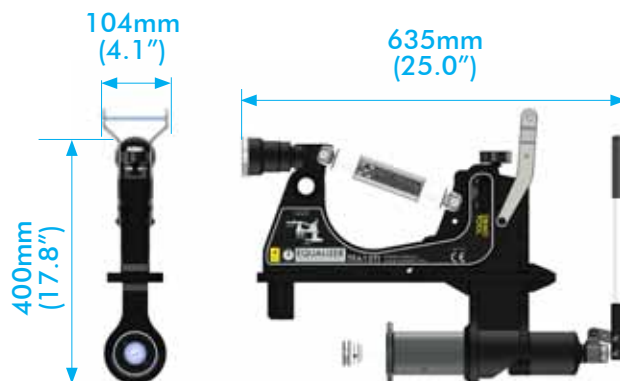
MINIMUM EXTENSION:  
PARTIAL LEVERAGE



MAXIMUM EXTENSION:  
FULL LEVERAGE



### WEIGHTS AND DIMENSIONS



Box Dimensions:  
585.0mm (23.0")  
900.0mm (35.4")  
170.0mm (11.8")

Tool Weight:  
21.5kg (48.5lb)

Gross Kit Weight:  
30.5Kg (67.2lb)

info@equalizerinternational.com  
www.equalizerinternational.com

# TFA15TI

INTEGRAL HYDRAULIC TOWER FLANGE ALIGNMENT TOOL

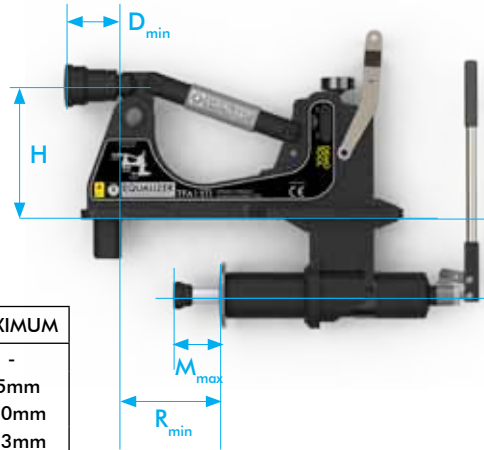


FLANGE TOOL INNOVATION

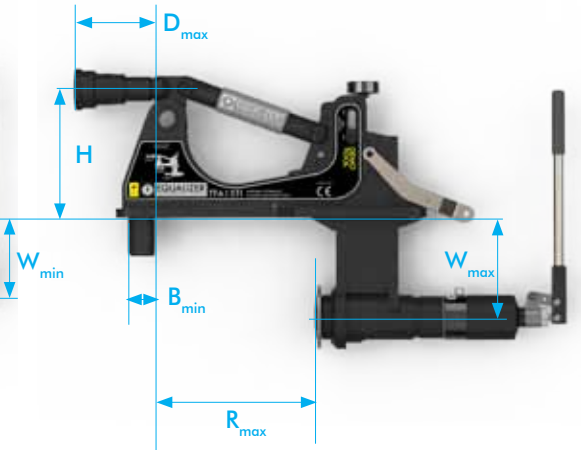
## RANGE OF APPLICATION



## MINIMUM EXTENSION



## MAXIMUM EXTENSION



	DIMENSION	MINIMUM	MAXIMUM
B	Bolt Hole Diameter	45mm	-
M	Misalignment	0mm	65mm
R	Rise	150mm	250mm
D	Pipe Leg Drop	83mm	123mm
W	Wing Reach	120mm	163mm
H	Reaction Spacing	200mm	-

