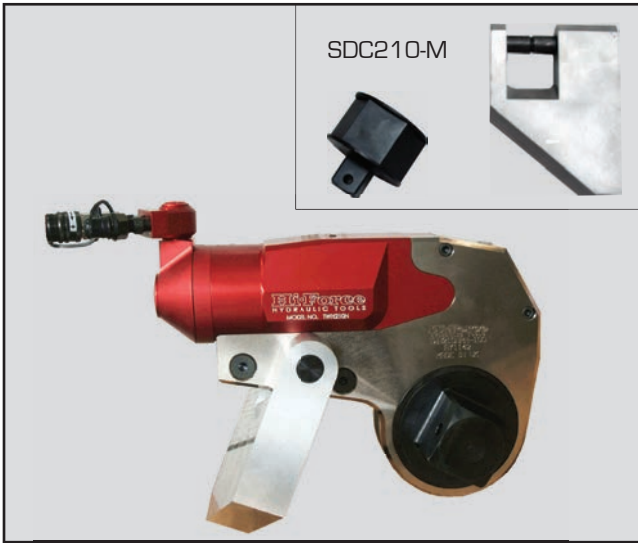


## TWH-N ACCESSORIES



Suitable for TWH-N range up to 23124 Nm

Square drive sizes from 1" to 2½"

Easily fitted, no special tools required

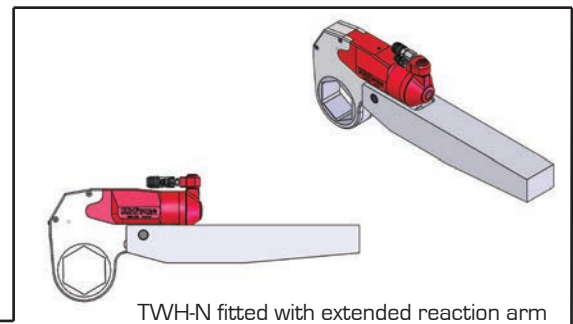
- » Supplied complete with reaction foot
- » Makes your hexagon drive torque wrench even more versatile
- » Full range of heavy duty sockets available [see pages 77 & 78]

Hi-Force SDC square drive conversion kits, suitable for Hi-Force TWH-N hexagon drive hydraulic torque wrenches (see pages 79-82) are available for all models, excluding TWH430N. All models are supplied complete with an easily attachable reaction foot and a standard hexagon AF size adaptor, suitable for fitment to a commonly used size of imperial or metric ratchet head, per tool type (see table for more details). These SDC square drive conversion kits provide the most flexible and cost effective method of converting a female hexagon drive hydraulic torque wrench into a square drive wrench.

Model number	Square drive	Hexagon AF Size	Maximum torque Nm	Maximum torque lbf.ft	Suitable for drive cylinder incl. ratchet head		Weight kg
<b>SDC27-I</b>	1"	1 <sup>13</sup> / <sub>16</sub> "	3068	2263	<b>TWH27N</b>	<b>TWH27NRH-1<sup>13</sup>/<sub>16</sub>"</b>	1.1
<b>SDC27-M</b>	1"	46mm	3068	2263	<b>TWH27N</b>	<b>TWH27NRH-46</b>	1.1
<b>SDC54-I</b>	1½"	2 <sup>9</sup> / <sub>16</sub> "	6037	4453	<b>TWH54N</b>	<b>TWH54NRH-2<sup>9</sup>/<sub>16</sub>"</b>	3.0
<b>SDC54-M</b>	1½"	65mm	6037	4453	<b>TWH54N</b>	<b>TWH54NRH-65</b>	3.0
<b>SDC120-I</b>	1½"	3 <sup>1</sup> / <sub>8</sub> "	14349	10583	<b>TWH120N</b>	<b>TWH120NRH-3<sup>1</sup>/<sub>8</sub>"</b>	4.4
<b>SDC120-M</b>	1½"	80mm	14349	10583	<b>TWH120N</b>	<b>TWH120NRH-80</b>	4.4
<b>SDC210-I</b>	2½"	3 <sup>7</sup> / <sub>8</sub> "	23124	17055	<b>TWH210N</b>	<b>TWH210NRH-3<sup>7</sup>/<sub>8</sub>"</b>	9.1
<b>SDC210-M</b>	2½"	100mm	23124	17055	<b>TWH210N</b>	<b>TWH210NRH-100</b>	9.1

### Extended Reaction Arms

Model Number	Length A		Length B		Height [C]		Width [D]	
	Inch	mm	Inch	mm	Inch	mm	Inch	mm
<b>ERA27-20</b>	19.6"	499	20.7"	525	1.8"	45	2.0"	50
<b>ERA54-20</b>	20.2"	513	21.1"	535	2.2"	55	2.5"	65
<b>ERA120-21</b>	20.8"	527	21.7"	550	3.0"	75	3.4"	85
<b>ERA210-21</b>	21.5"	545	23.2"	588	3.7"	95	3.7"	95
<b>ERA430-22</b>	22.2"	565	24.7"	628	4.7"	120	4.7"	120



Extended reaction arm

